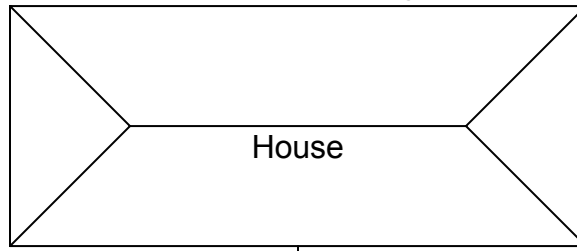


# Construction Standards Standard Septic System



House

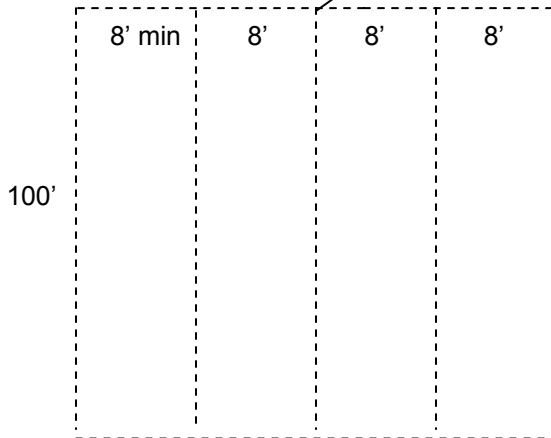
**House Line:** Minimum 4" diameter, SDR 35 or better, minimum 10" from water well. Capped cleanout maximum 5' from foundation.

**Tanks:** 2- 1000 gallon approved septic tanks, leave exposed for inspection. Minimum 50' separation from water well and 10' from foundation. Tees or Elbows required at outlet

## Setbacks

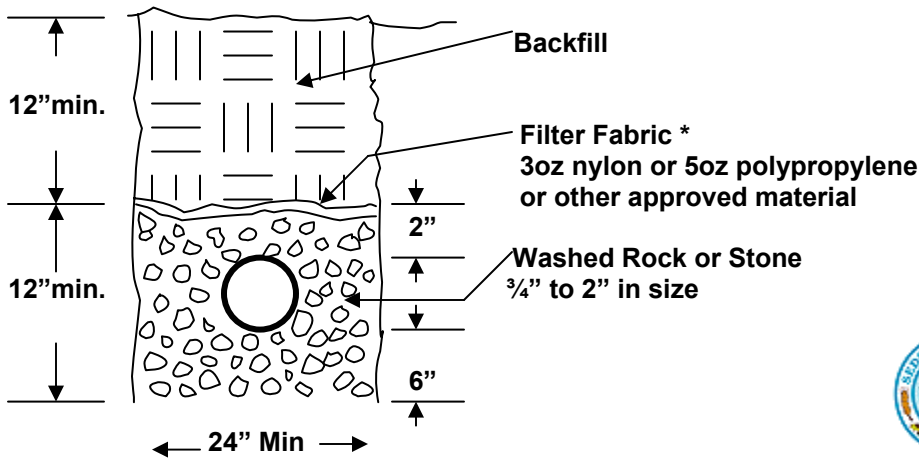
Lateral Field shall be a minimum of 25' from all property lines and building foundation.

Minimum drop 6", solid pipe, tight joints and at least 5' in length. Minimum SDR 35 or better



- At least 10,000 sq ft reserved for lateral field and replacement.
- Rock and Pipe laterals shall be level and looped. Chambers shall be level.
- Shall be rigid, perforated pipe, 4" diameter and shall have a crush strength of 1500 #.
- Ground surface to groundwater shall have 10' of separation.
- Lateral field shall be 50' from any surface water or water well and a 4' separation from shale, clay or rock shall be maintained.
- Soil shall have a percolation rate of 60 min./inch or better.
- **System shall be left uncovered for inspection.**

## Cross Section of Absorption Trench



\* If using chambers in place of rock & pipe, filter fabric is only required in soils with a 0-30 percolation rate.



Sedgwick County...  
working for you